

Ultra Compact, 1.5W to 25W Single and Dual DC-DC Converters



Manufactured by TDK

TDK-Lambda is a collaborative product brand between TDK and the Lambda group.

- ◆ Compact Footprint / Low Profile
- ◆ Through Hole or SMT Versions
- ◆ 5V, 12V, 24V & 48V Inputs
- ◆ 3.3 to 30V¹ Single, ±12 to 15V Dual Outputs
- ◆ Output Voltage Adjustment
- ◆ Input - Output Isolation
- ◆ RoHS Compliant
- ◆ 5 Year Warranty

RoHS

Key Market Segments & Applications

Telecommunications Instrumentation	Datacom
---------------------------------------	---------

Features & Benefits

Feature	Benefit
◆ Compact	◆ Less pcb area used
◆ Self contained	◆ Requires no external components
◆ Multiple Input Voltage configurations	◆ Easier system configuration
◆ Open frame (no potting)	◆ Lighter in weight, suitable for surface mount (R version)

Specifications

	V	3.3V	5V	12/15V	±12/15 (24/30) ¹
Nominal Output Voltage	V	3.3V	5V	12/15V	±12/15 (24/30) ¹
DC Input	V	5V: 4.5-9.0V, 12V: 9-18V, 24V: 18-36V, 48V: 36-76V			
Efficiency	%	71 to 90% model dependant			
Output Voltage Tolerance	%	1.5-10W: ±3%, 15-25W: ±5%			±5%
Output Adjustment (via trim pin)	V	3.15-3.6V	4.75-6.0V	11.4-15V	22.8 - 30V
Line Regulation	mV	20 (40 CC15; 30 CC25)	40	80	80
Load Regulation	mV	40 (120 CC15; 200 CC25)	100	600 ²	600 ²
Temperature Coefficient	%	< ± 0.02%/°C			
Preload	-	No preload required			
Output Ripple (typ./max.BW 50MHz)	mV	40/120		30/120	
Overcurrent Protection	-	Output current limiting with automatic recovery, shutdown CC15, 25 type			
Overvoltage Protection	-	No			
Remote On/ Off	-	CC1R5, 3, 6, & 10: RC terminal open, output is OFF; RC terminal to -Vin (0-0.4V), output is ON CC15 & CC25: RC terminal open, output is ON; RC terminal to +Vin, output is OFF			
Operating Temp.- Convection	°C	-40 to 85°C, derates linearly to 40% load from 50°C to 85°C			
Operating Temp.- Forced Air	°C	-40°C to 85°C with 1m/s air full load			
Storage Temperature	°C	-40°C to 85°C			
Humidity (non Condensing)	-	95% RH max.(maximum wet-bulb temperature: 38°C)			
Isolation Voltage	-	500VAC 1 min. Input to output, input to case, output to case			
Isolation Resistance	-	Input to output, input to case, output to case: 50M ohm min. (500VDC)			
Shock	m/s ²	980m/s ² (100G) 6ms (6 directions, each 3 times)			
Vibration (non Operating)	-	10 to 55Hz (sweep for 15min) 1.52mm constant, 3 directions X, Y, Z each 2 hours			
Safety Agency Approvals	-	UL60950-1, CSA60950-1, EN60950-1			
Weight	g	CC1R5: 3.2, CC3: 4.5, CC6: 5.8, CC10:10.0, CC15: 12.5, CC25: 20.0			
Size (L x W x H) (DIP Through Hole and SMD package) (SIP Through Hole only)	in	CC1R5: 0.650 x 0.654 x 0.335; CC3: 0.900 x 0.654 x 0.335; CC6: 0.900 x 0.831 x 0.335 CC10: 1.400 x 0.890 x 0.335; CC15: 1.500 x 1.264 x 0.295; CC25: 1.701 x 1.768 x 0.295 CC3 (SIP): 1.09 x 0.362 x 0.705			
Warranty	-	5 years			

1. For 24V/30V output - connect across +Vout & -Vout and leave "common out" pin not connected
2. Based upon equal load current from both outputs

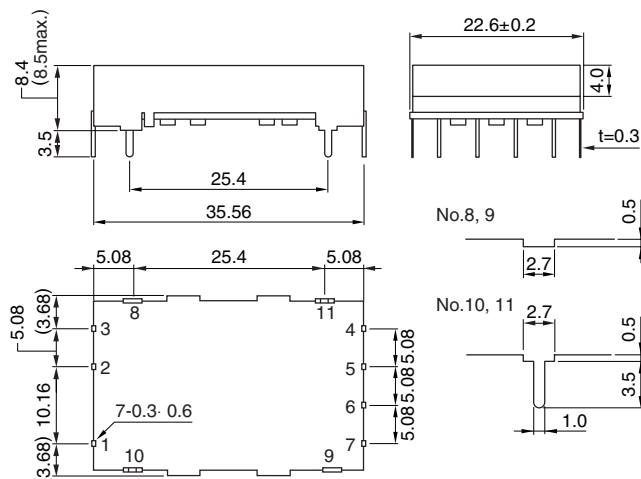
3. For 15V output connect trim to -Vout
4. See Installation Manual for full specifications, test methods of parameters and application notes

Model Selector

Output Voltage (V)	Output Current (A)	Output Power (W)	5V Input	12V Input	24V Input	48V Input
Single Outputs						
3.3	0.4	1.5	CC1R5-0503SF-E	CC1R5-1203SF-E	CC1R5-2403SF-E	CC1R5-4803SF-E
3.3	0.8	3	CC3-0503SF-E	CC3-1203SF-E	CC3-2403SF-E	CC3-4803SF-E
3.3	1.2	6	CC6-0503SF-E	CC6-1203SF-E	CC6-2403SF-E	CC6-4803SF-E
3.3	2.5	10	CC10-0503SF-E	CC10-1203SF-E	CC10-2403SF-E	CC10-4803SF-E
3.3	4.5	15	-	-	CC15-2403SF-E	-
3.3	7.5	25	-	-	CC25-2403SF-E	-
5	0.3	1.5	CC1R5-0505SF-E	CC1R5-1205SF-E	CC1R5-2405SF-E	CC1R5-4805SF-E
5	0.6	3	CC3-0505SF-E	CC3-1205SF-E	CC3-2405SF-E	CC3-4805SF-E
5	1.0	5	CC6-0505SF-E	-	-	-
5	1.2	6	-	CC6-1205SF-E	CC6-2405SF-E	CC6-4805SF-E
5	2.0	10	CC10-0505SF-E	CC10-1205SF-E	CC10-2405SF-E	CC10-4805SF-E
5	3.0	15	-	-	CC15-2405SF-E	-
5	5.0	25	-	-	CC25-2405SF-E	-
12(15)	0.125(0.1)	1.5	CC1R5-0512SF-E	CC1R5-1212SF-E	CC1R5-2412SF-E	CC1R5-4812SF-E
12(15)	0.25(0.2)	3	CC3-0512SF-E	CC3-1212SF-E	CC3-2412SF-E	CC3-4812SF-E
12(15)	0.5(0.4)	6	CC6-0512SF-E	CC6-1212SF-E	CC6-2412SF-E	CC6-4812SF-E
12(15)	0.8(0.64)	10	CC10-0512SF-E	-	-	-
12(15)	1.0(0.8)	10	-	CC10-1212SF-E	CC10-2412SF-E	CC10-4812SF-E
Dual Outputs						
±12 (15) ³	0.06(0.05)	1.5	CC1R5-0512DF-E	CC1R5-1212DF-E	CC1R5-2412DF-E	CC1R5-4812DF-E
±12 (15) ³	0.125(0.1)	3	CC3-0512DF-E	CC3-1212DF-E	CC3-2412DF-E	CC3-4812DF-E
±12 (15) ³	0.25(0.2)	6	CC6-0512DF-E	CC6-1212DF-E	CC6-2412DF-E	CC6-4812DF-E
±12 (15) ³	0.4(0.32)	10	CC10-0512DF-E	-	-	-
±12 (15) ³	0.45(0.36)	10	-	CC10-1212DF-E	CC10-2412DF-E	CC10-4812DF-E

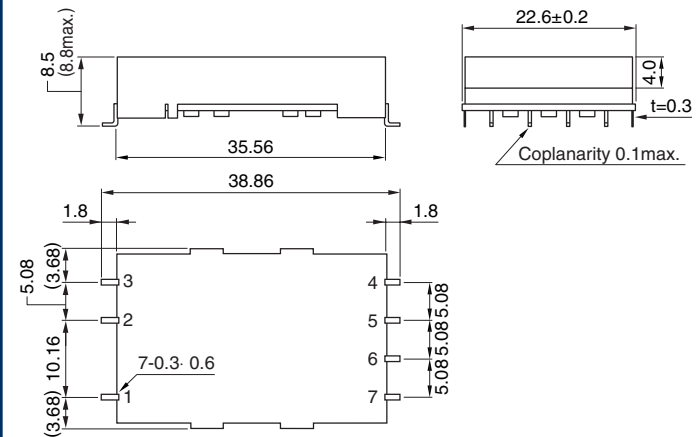
Outline Drawing

CC10- F-E (DIP TYPE)



Outline Drawing

CC10- R-E (SMD TYPE)



Options

Version	Description
F-E	Through hole mounting (DIP pkg)
R-E	Surface mount (DIP pkg)
S-E	Through hole mounting (SIP pkg - CC3)

Other Lambda Industrial Products

PX	10 - 40W 12, 24, 48V DC-DC converters
PAQ, PAH, PAF	50 - 700W quarter, half & full bricks

Pinout (CC1R5, 3, 6, and 10)

Pin	Single	Dual
1	+Vin	+Vin
2	RC	RC
3	-Vin	-Vin
4	NC	-Vout
5	-Vout	Common out
6	TRM	TRM
7	+Vout	+Vout

For CC15 and 25 see Installation Manual online

For Additional Information, please visit
www.lambdapower.com/products/cc-series.htm