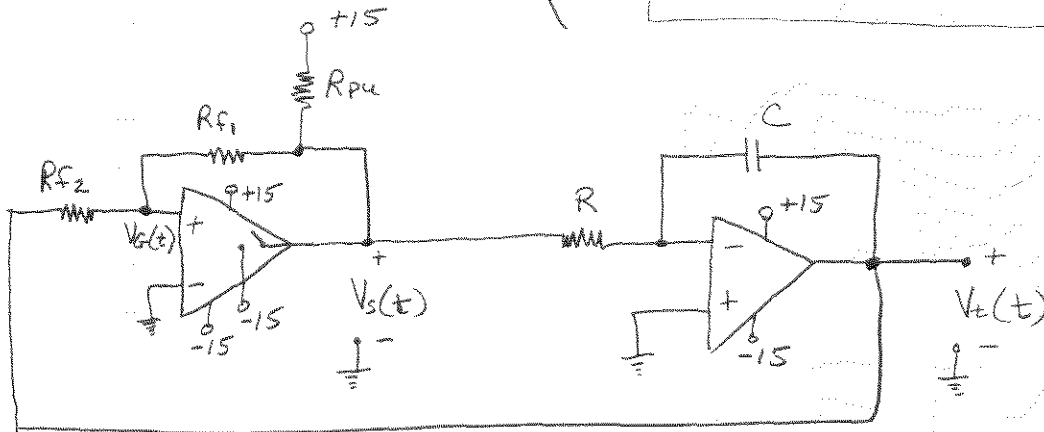


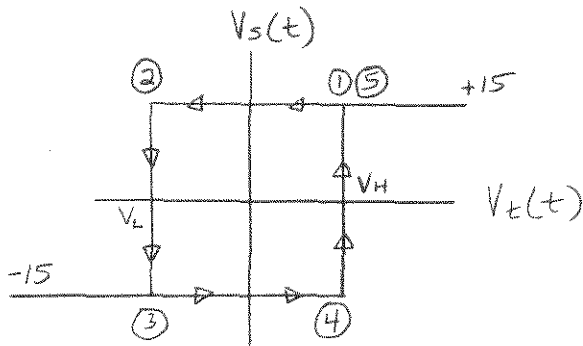
HANDOUT #3 LAB 3

LAST TIME

(Comparator → OpAmp)

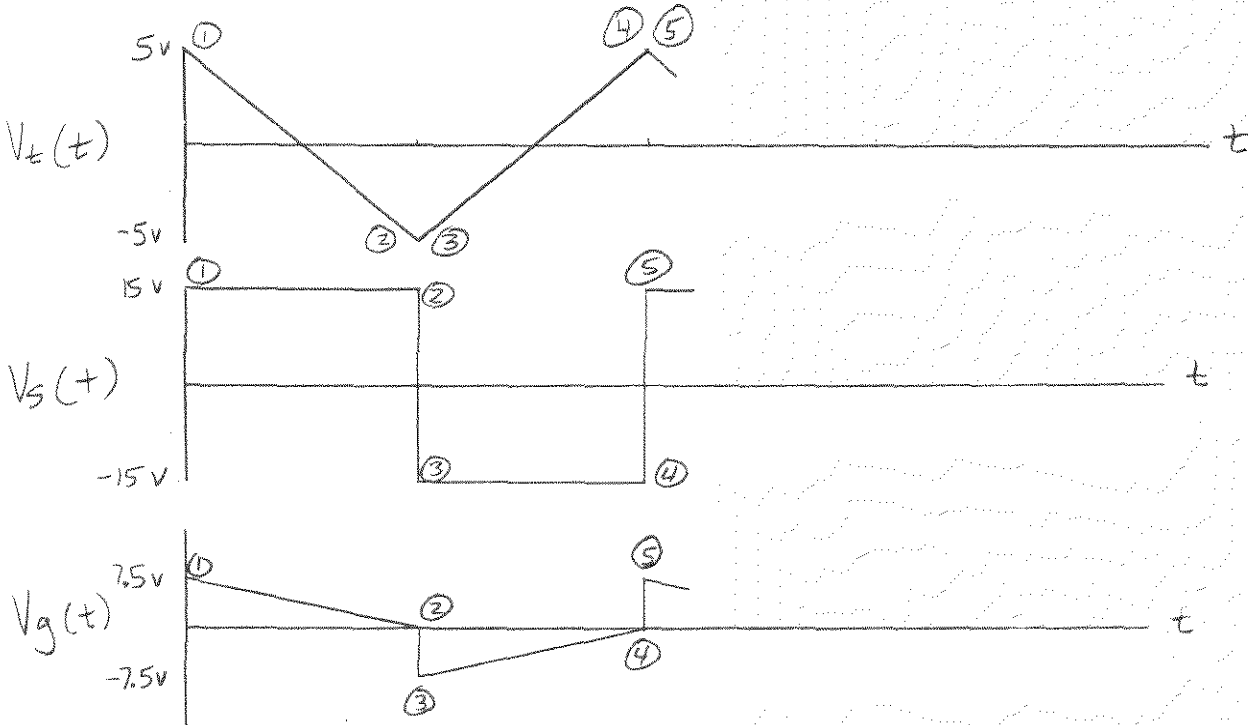


$R_{f1} = 15K$
 $R_{f2} = 5K$

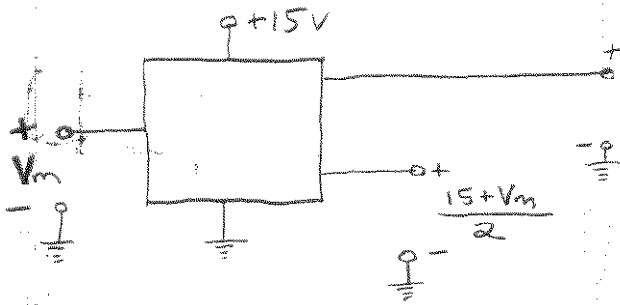


From ② $V_L = \frac{-15 R_{f2}}{R_{f1}}$

From ④ $V_H = \frac{+15 R_{f2}}{R_{f1}}$



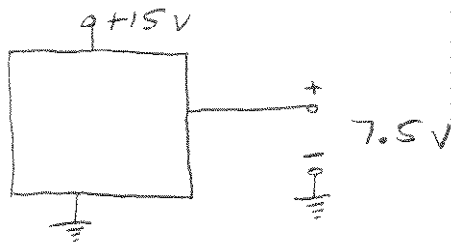
1. Design # 1



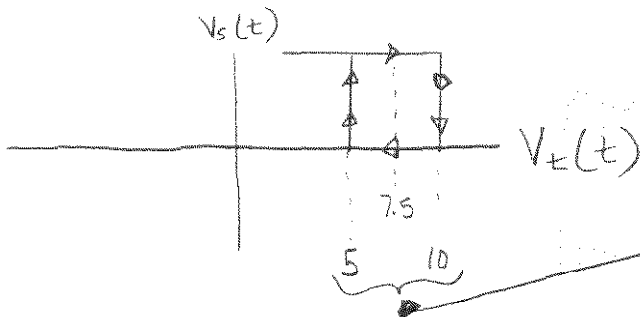
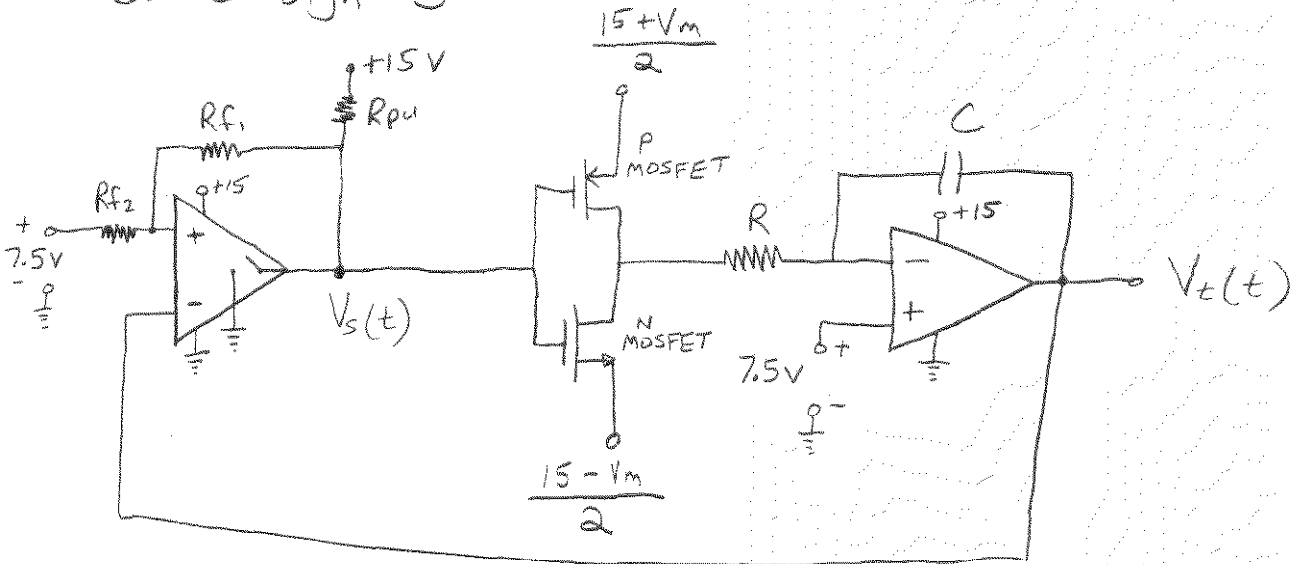
PS: +15, ground

Input: V_m (.5 to 10 Volts)

2. Design # 2



3. Design # 3



Design for