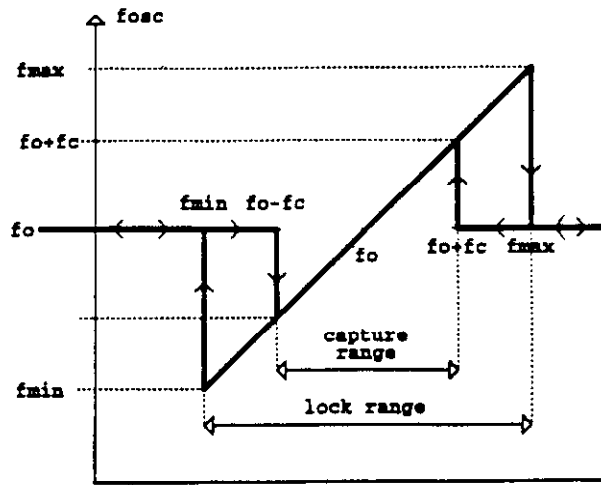


Handout #3



Putting the f_i axis here is less confusing.

Figure 2: Steady-state $f_{osc}(f_i)$ characteristic of the basic PLL.

Handout #1

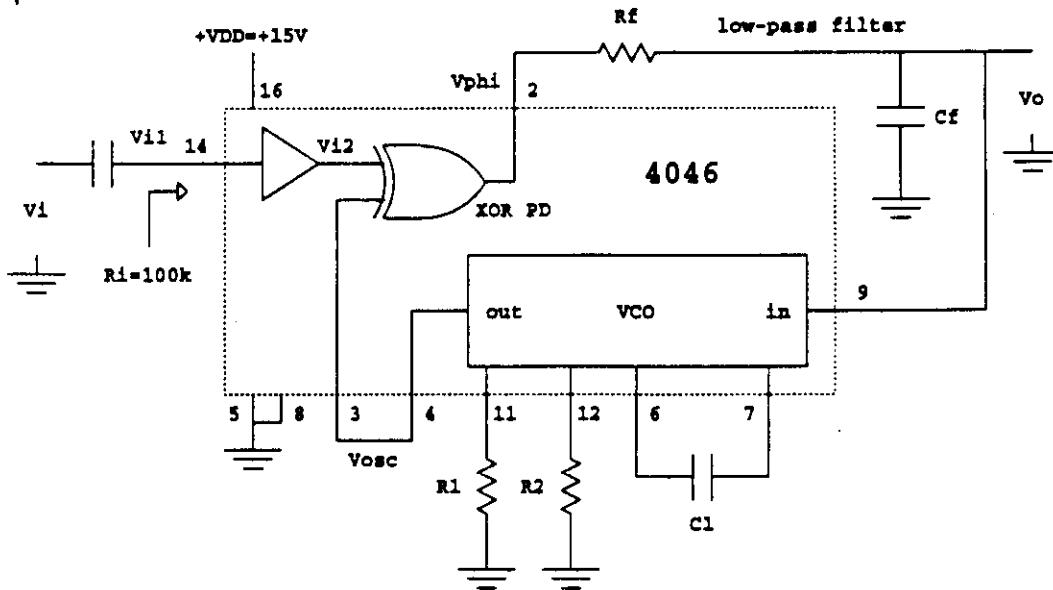


Figure 3: CMOS 4046 PLL: basic connection diagram.

LAB4 Handout 2

