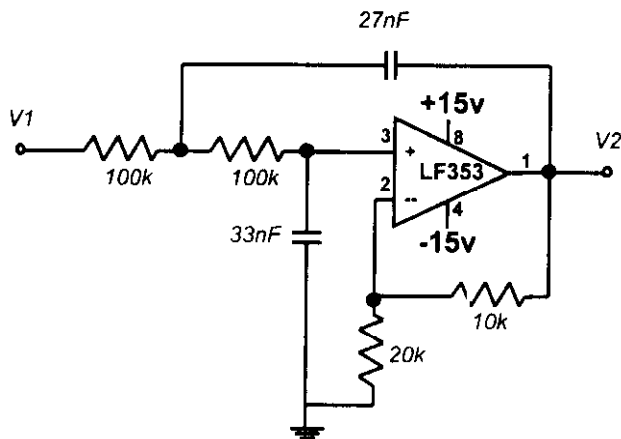


ECEN 4618  
Advanced Electronics Lab  
Spring 1999  
Quiz # 5b

Name: SOLUTION

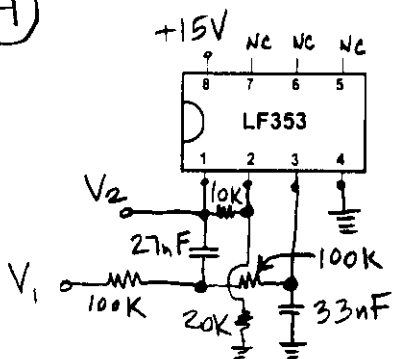
For the FSK modem receiver, your lab group decides to implement a second-order low-pass filter in order to remove more of the AC ripple that is present on the output of the PLL. After some simulations, you decide that the circuit shown below will do the job.



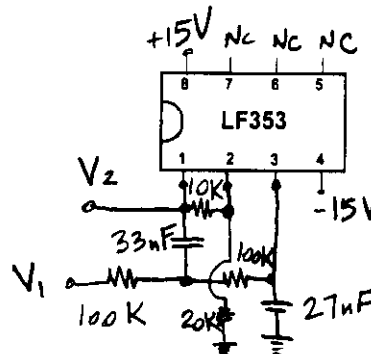
Your lab partner takes the design and assembles the filter on a breadboard. (5 points) Which of the following implementations is correct?

*C IS THE CORRECT IMPLEMENTATION.*

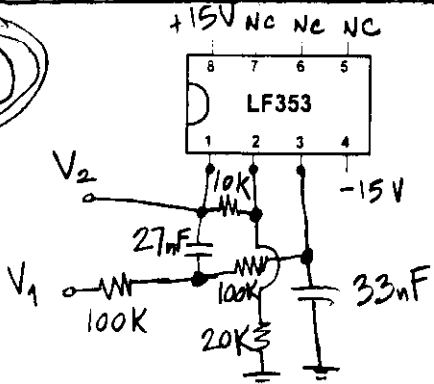
(A)



(B)



(C)



(D)

