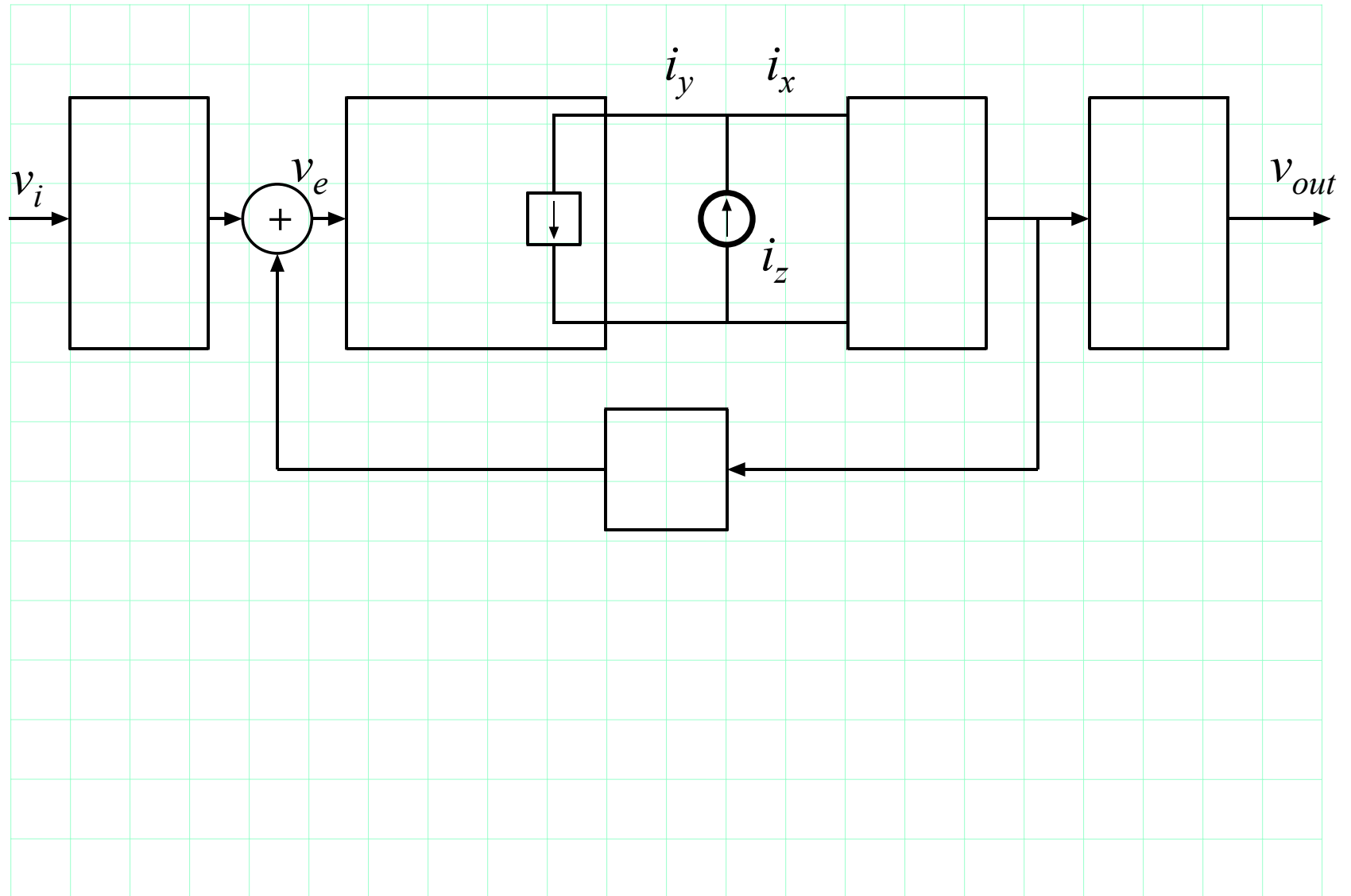
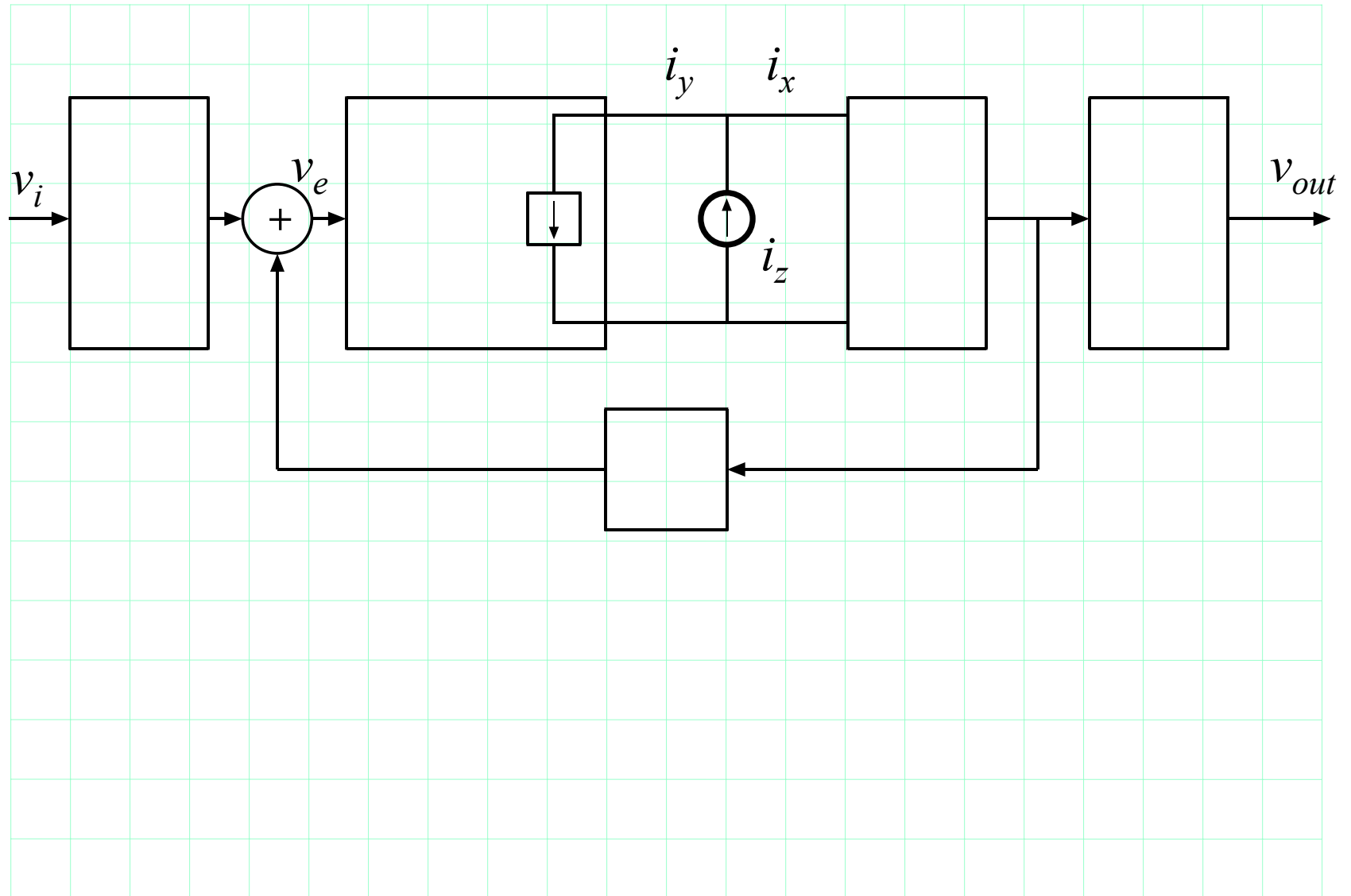


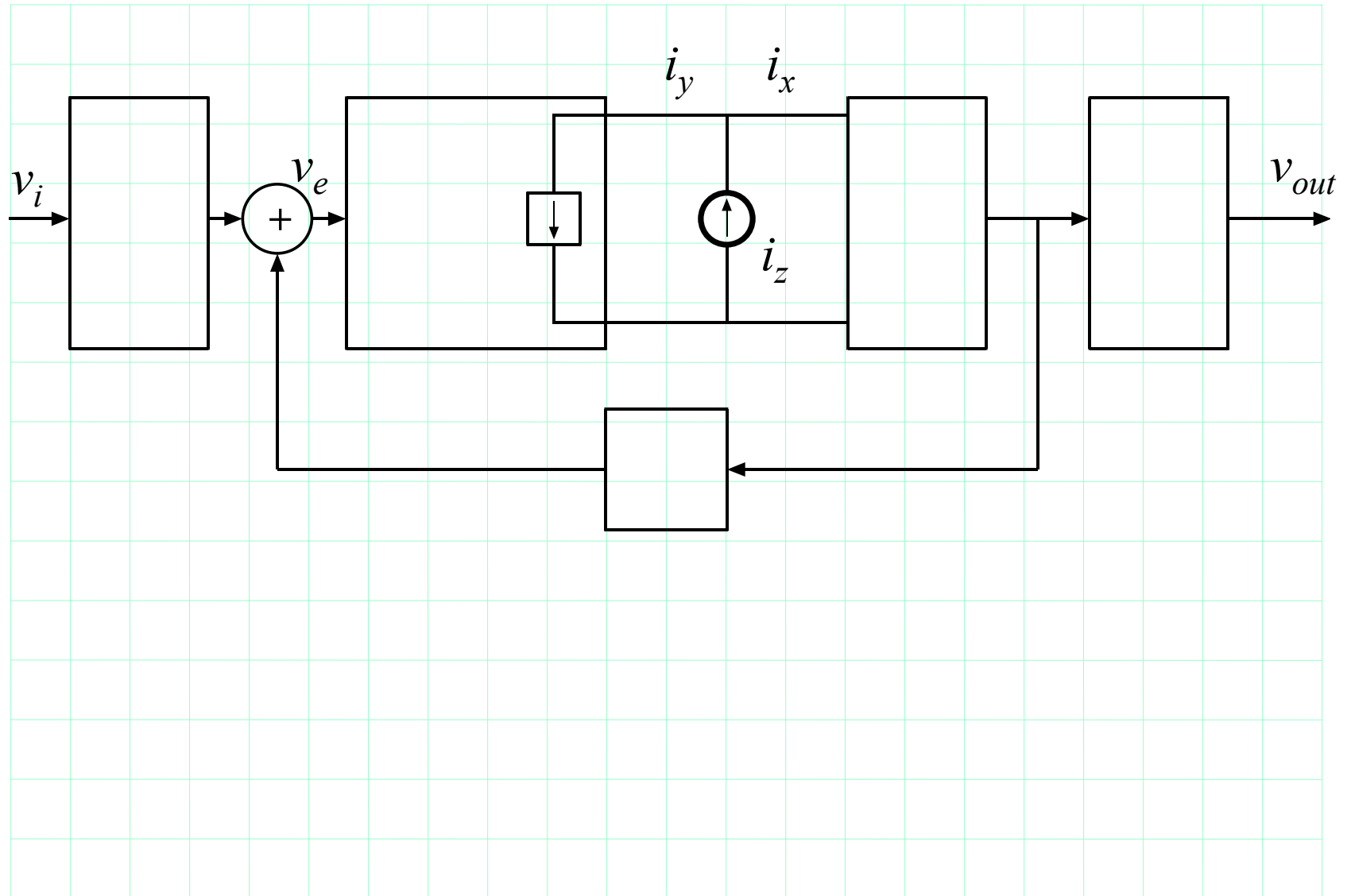
# Feedback theorem derivation



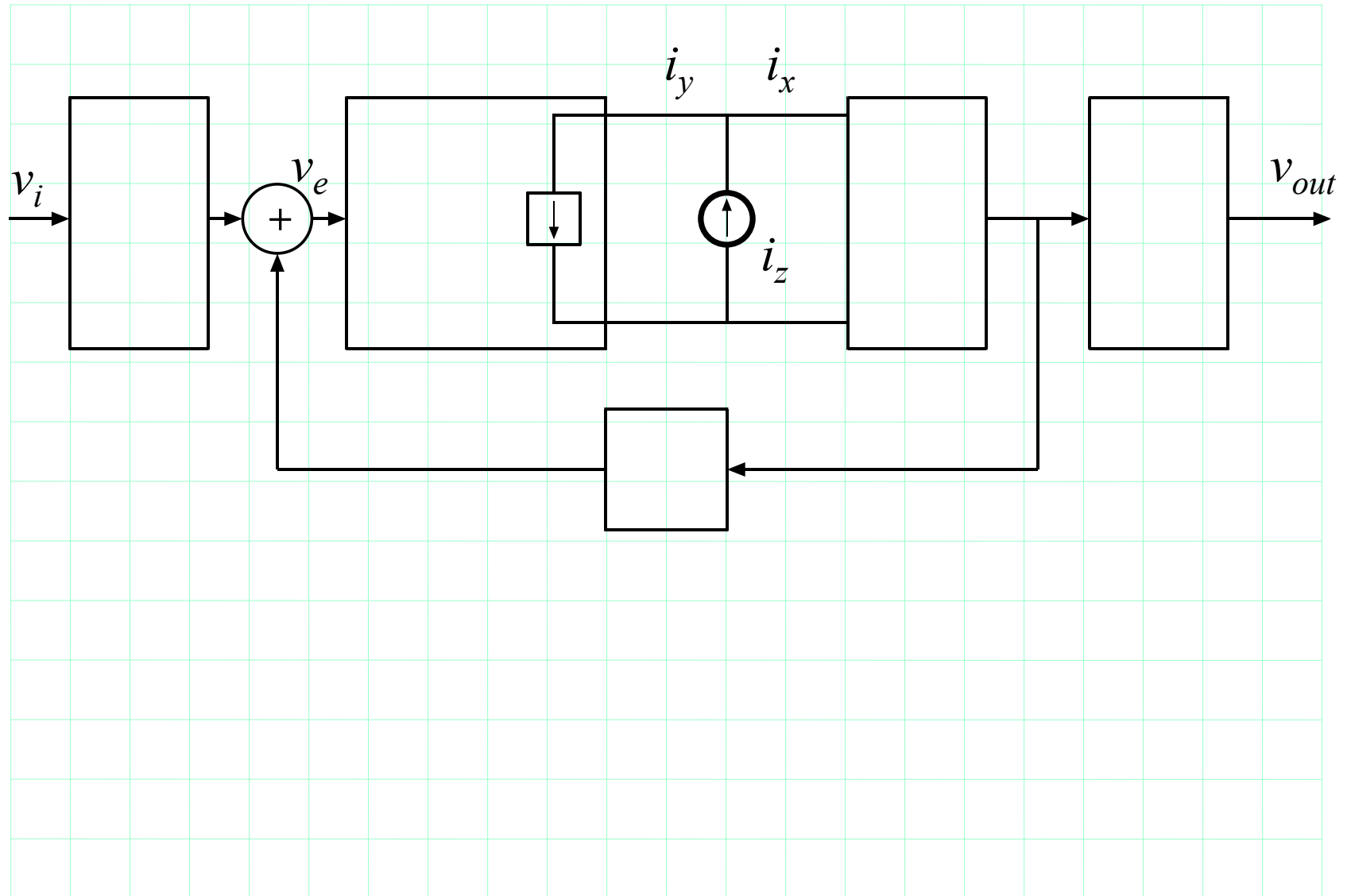
$$1. i_z = 0$$



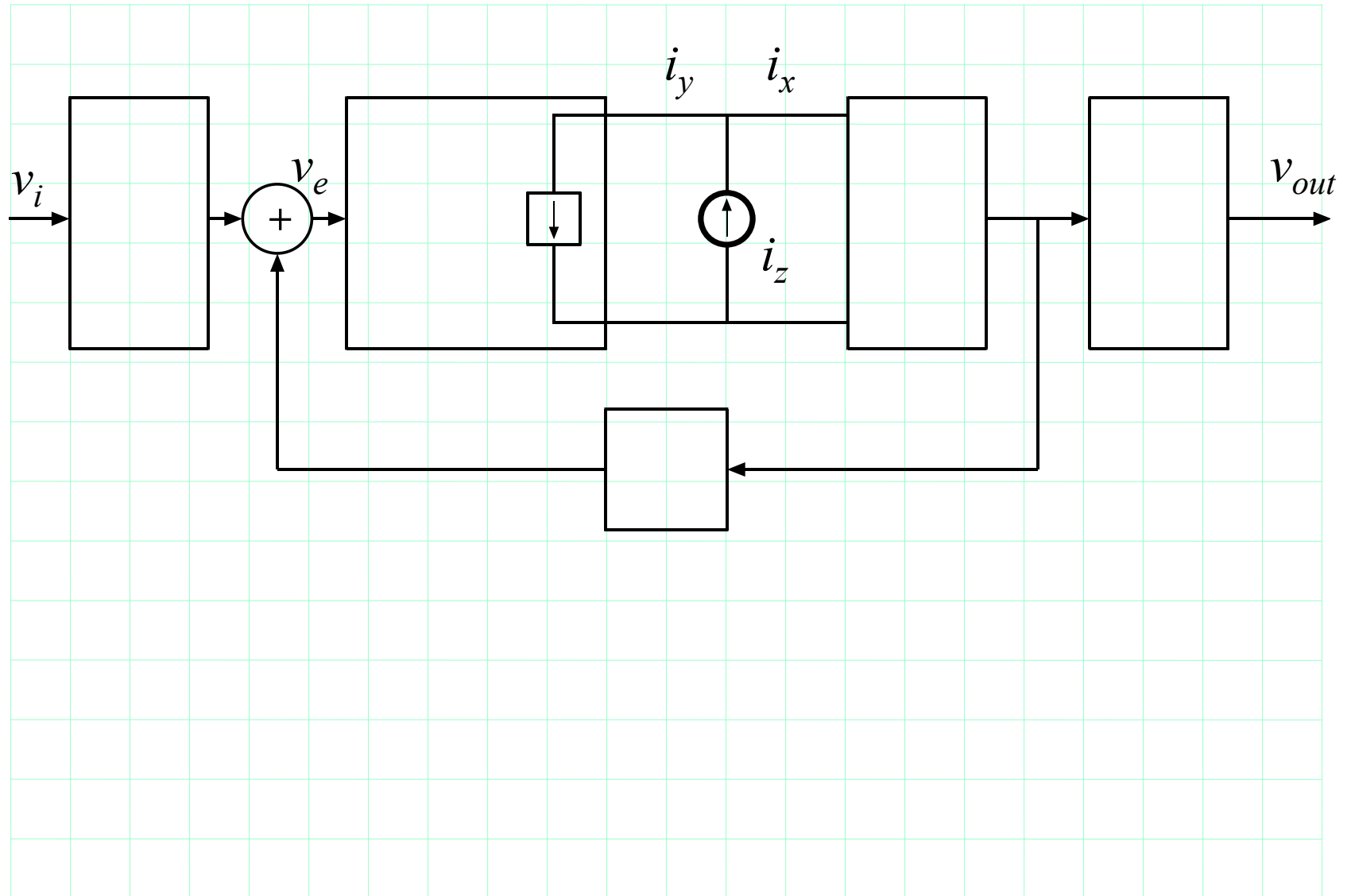
$$2. v_i = 0$$



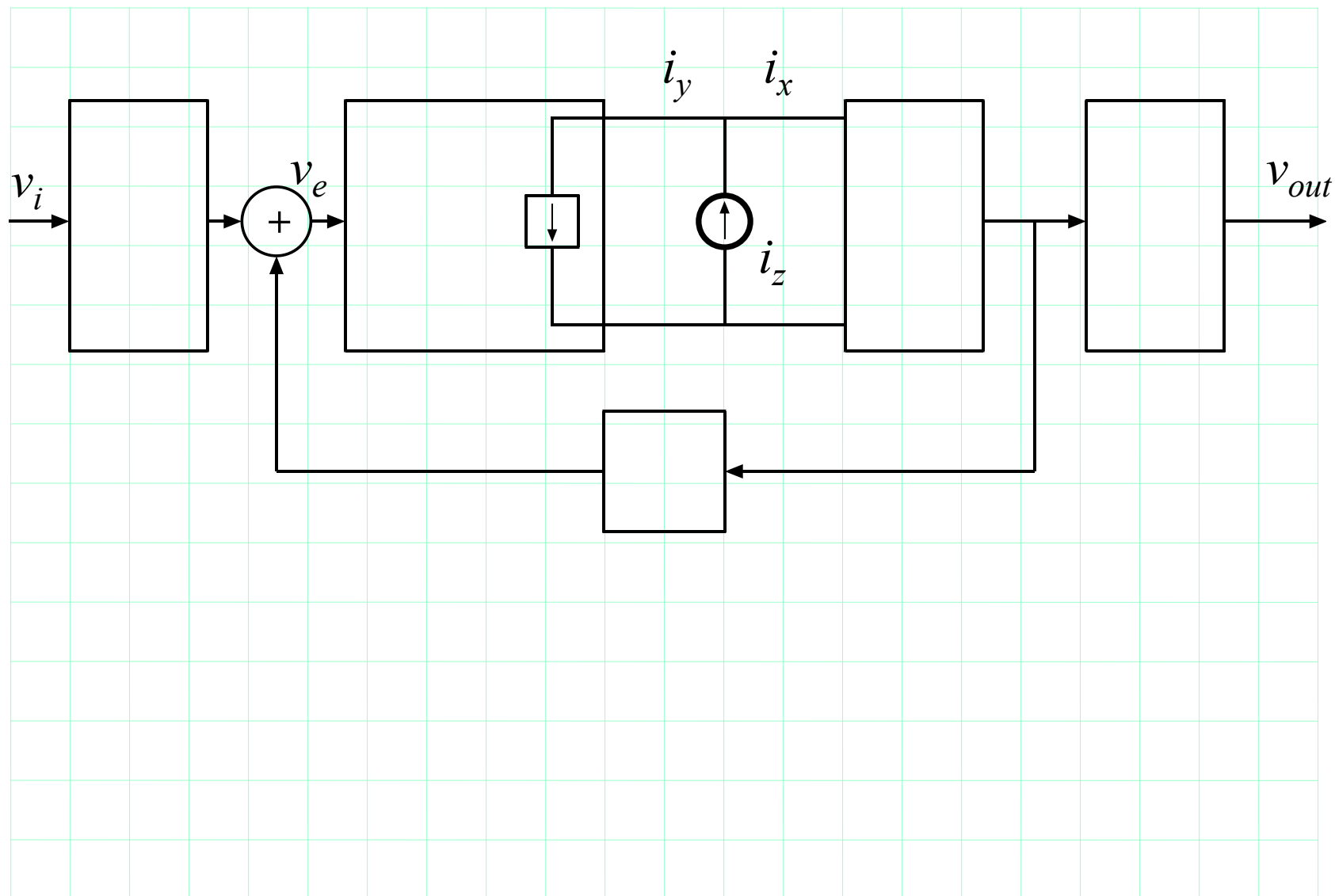
### 3. superposition



### 3(i) null double injection $i_x \rightarrow 0$



3(ii) null double injection  $i_y \rightarrow 0$



3(iii) null double injection  $v_{out} \rightarrow 0$

