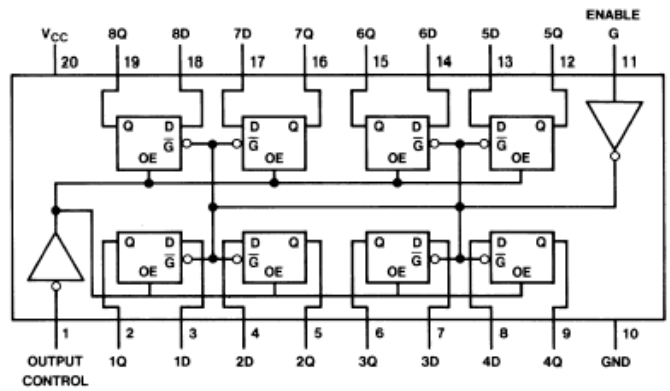


LCD

1	2	3	4	5	6	7	8	9	10	11	12	13	14
VSS	VCC	VEE	RS	R/W	E	DB0	DB1	DB2	DB3	DB4	DB5	DB6	DB7

'LS373



'LS374

