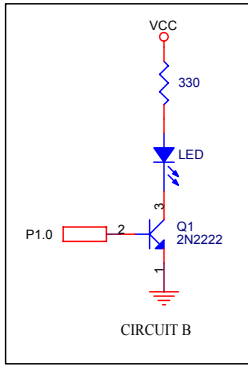
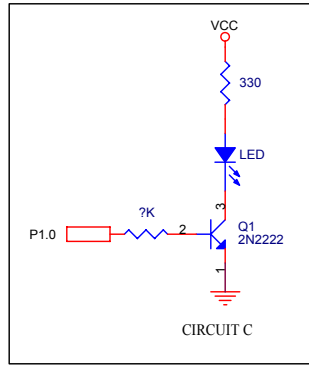


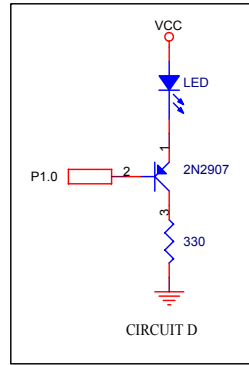
CIRCUIT A



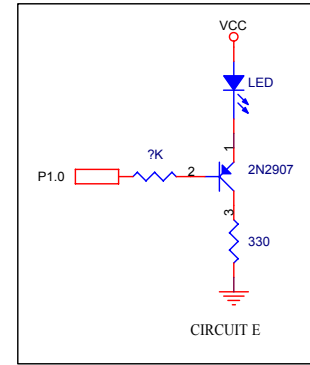
CIRCUIT B



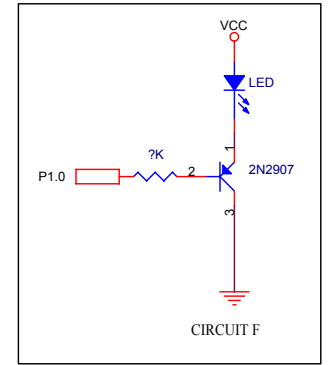
CIRCUIT C



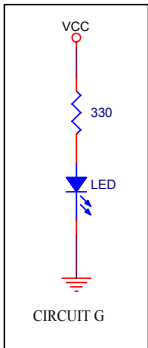
CIRCUIT D



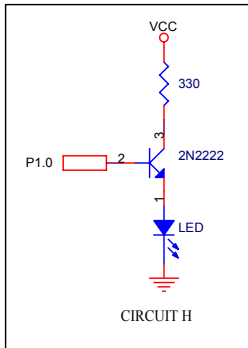
CIRCUIT E



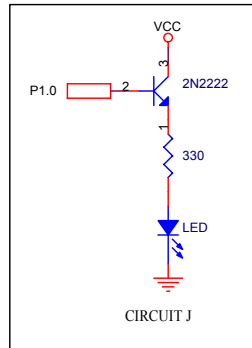
CIRCUIT F



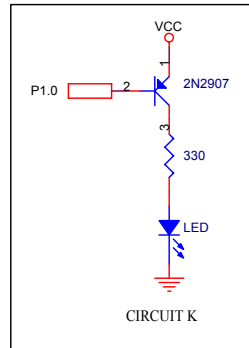
CIRCUIT G



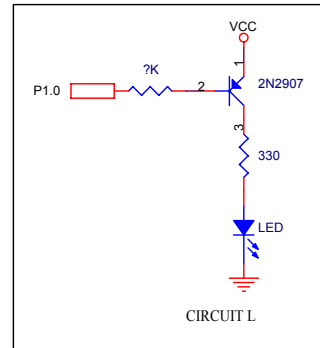
CIRCUIT H



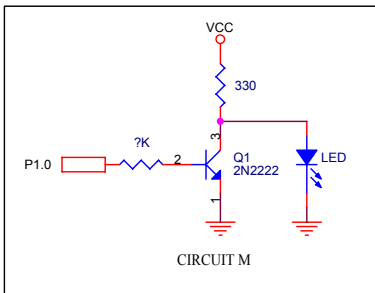
CIRCUIT J



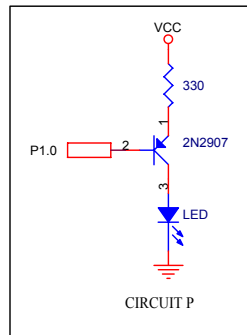
CIRCUIT K



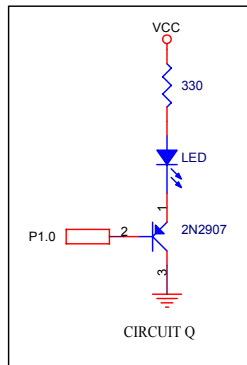
CIRCUIT L



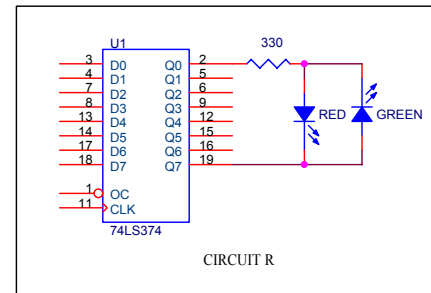
CIRCUIT M



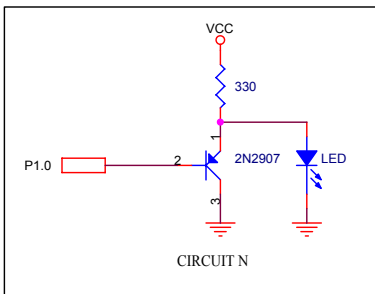
CIRCUIT P



CIRCUIT Q



CIRCUIT R



CIRCUIT N

**CAUTION: Some of these circuits have design issues!!**

Title		
LED Driver Circuits		
Size	Document Number	Rev
Custom	ESDLED01	1.0
Date:	Tuesday, September 30, 2003	Sheet 1 of 1